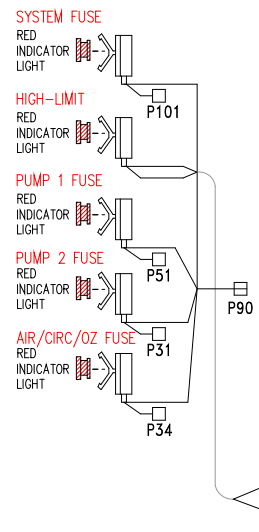
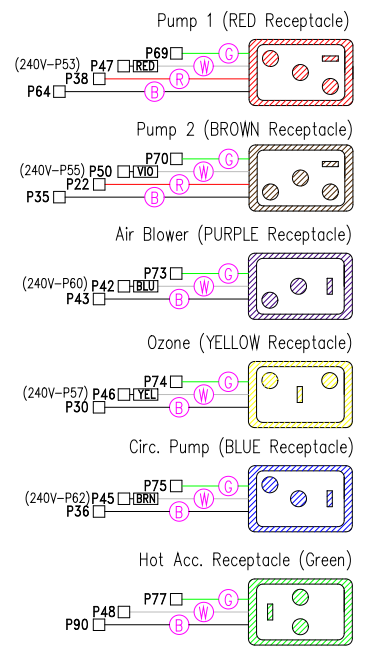
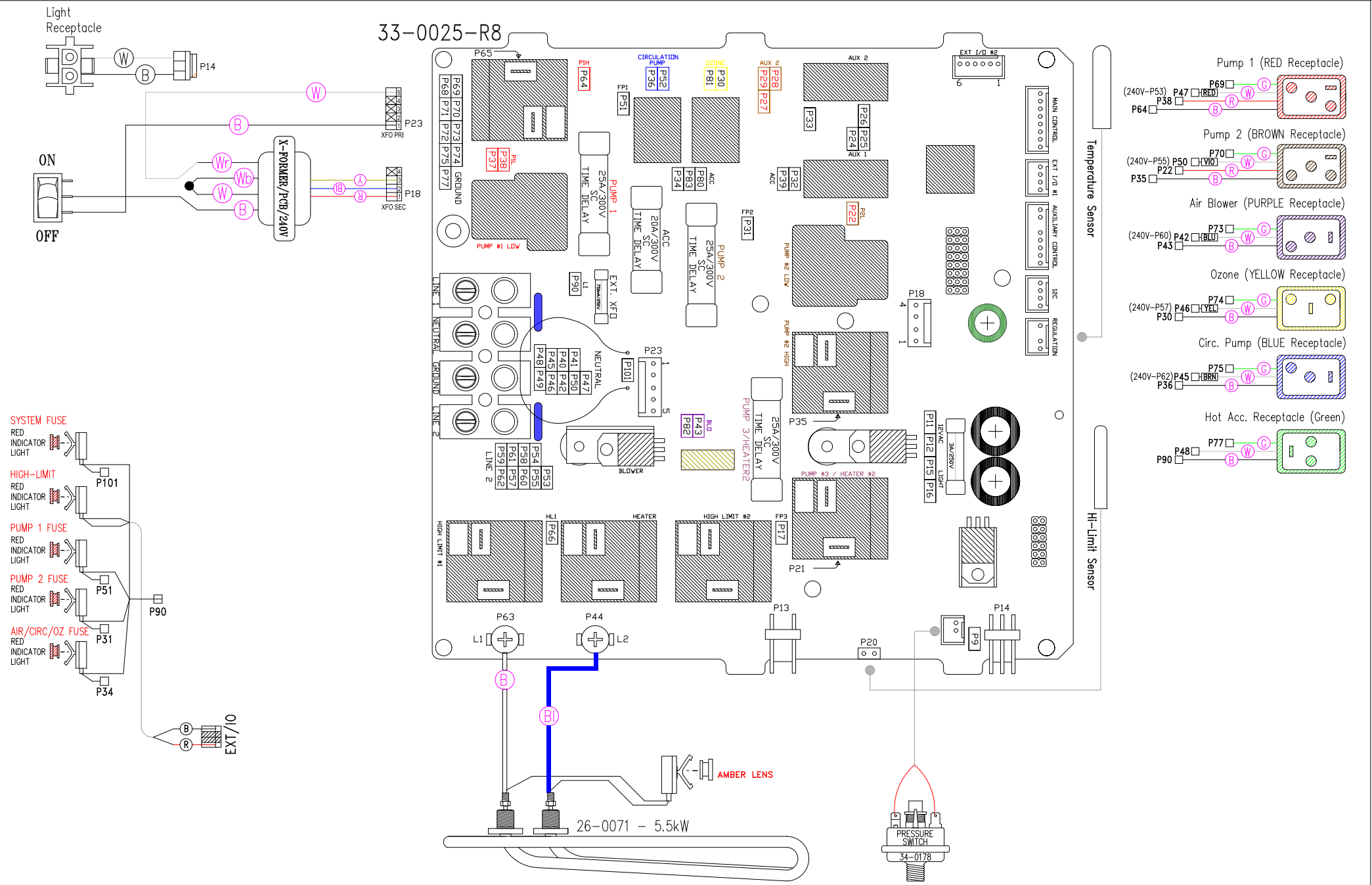


33-0025-R8



HYDRO-QUIP
CORONA, CA (951) 273-7575

Manufacture Notes: EX: RED - DENOTES THE COLOR OF HEAT SHRINK USED.

| | | |
|-------------|----------|---|
| Drawn | Rev | Wire Color Code |
| LSL | 22 | |
| Date | 07.09.07 | |
| Diagram No. | 4415 | B - Black C - Green Br - Brown Bl - Blue R - Red V - Violet O - Orange W - White Y - Yellow Gr - Gray |